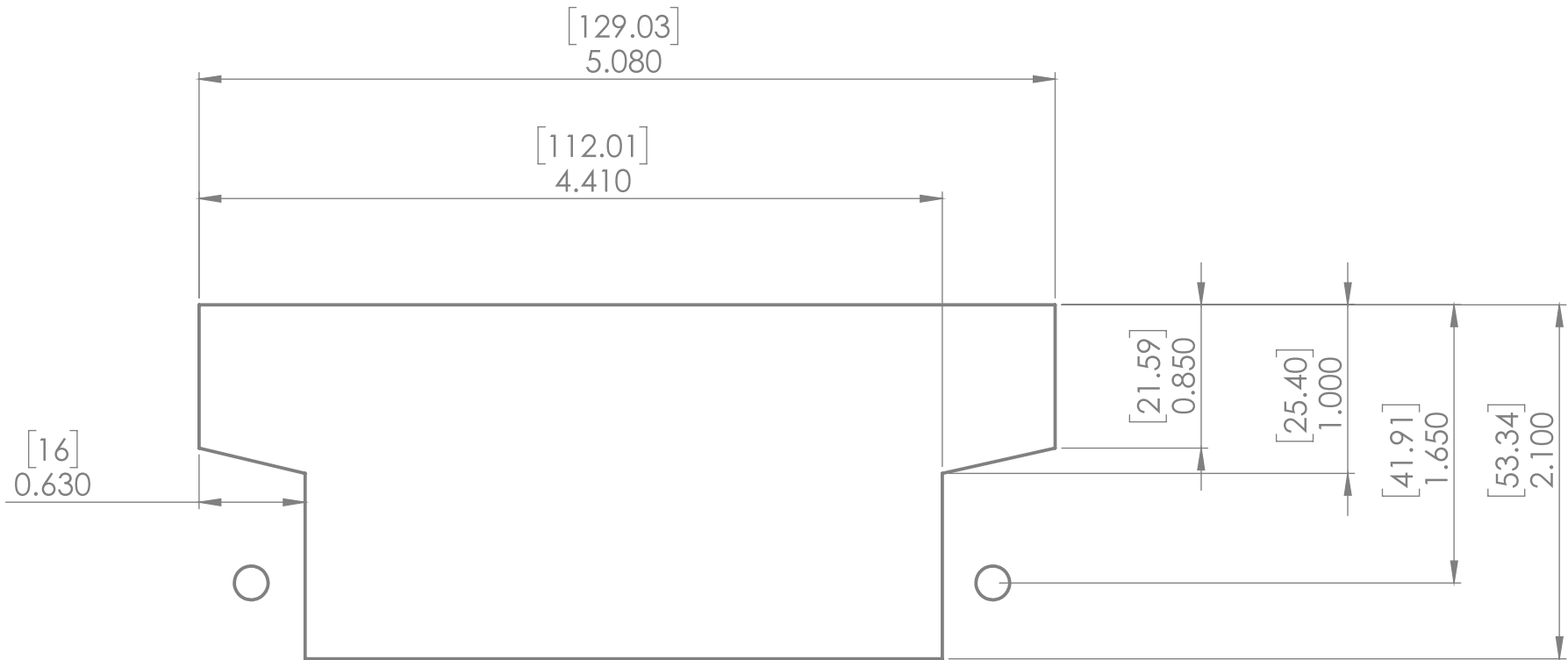


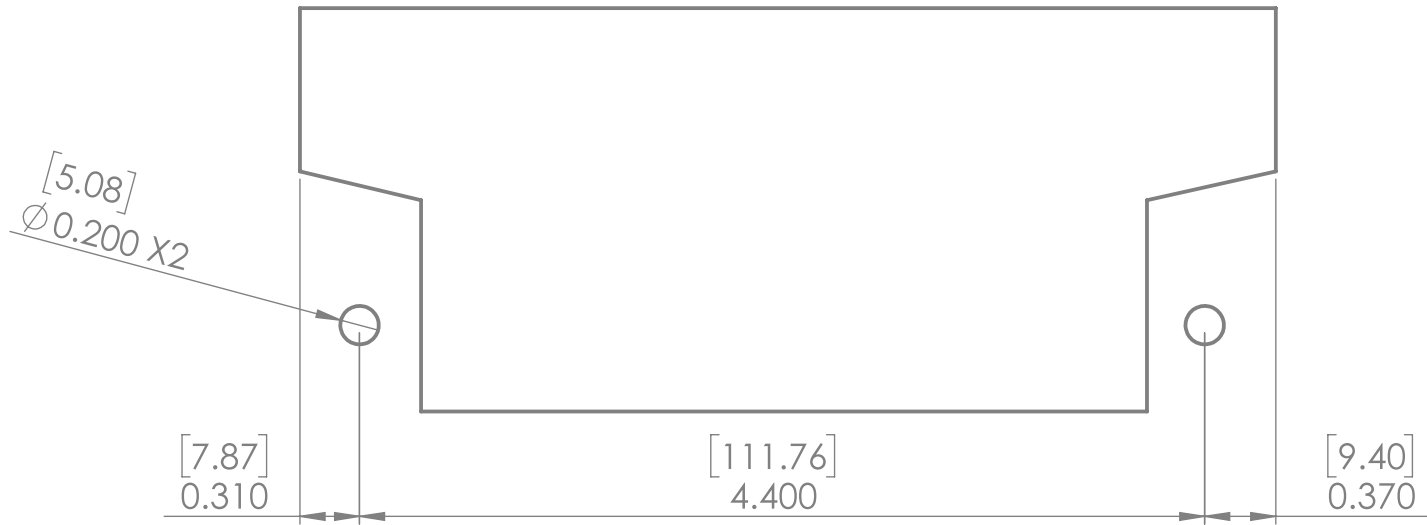
REVISIONS			
REV.	DESCRIPTION	DATE	APPROVED
A	INITIAL RELEASE	2/8/2018	
B	ADDED TEMPLATE NOTE	7/28/2020	



UNLESS OTHERWISE SPECIFIED:		NAME	DATE	Digital Switching Systems Australia
DIMENSIONS ARE IN INCHES		DRAWN	2/18	
TOLERANCES:		CHECKED		TITLE: PKR2400 CUTOUT
FRACTIONAL ±		ENG APPR.		
ANGULAR: MACH ±1 BEND ±1		MFG APPR.		
TWO PLACE DECIMAL ±.01		Q.A.		
THREE PLACE DECIMAL ±.005		COMMENTS:		
INTERPRET GEOMETRIC TOLERANCING PER:				SIZE
MATERIAL				DWG. NO.
FINISH				REV
DO NOT SCALE DRAWING				A
				PKR2400
				B
		SCALE: 1:1	WEIGHT: 455g	SHEET 1 OF 3

PROPRIETARY AND CONFIDENTIAL
THE INFORMATION CONTAINED IN THIS DRAWING IS THE SOLE PROPERTY OF DSSA



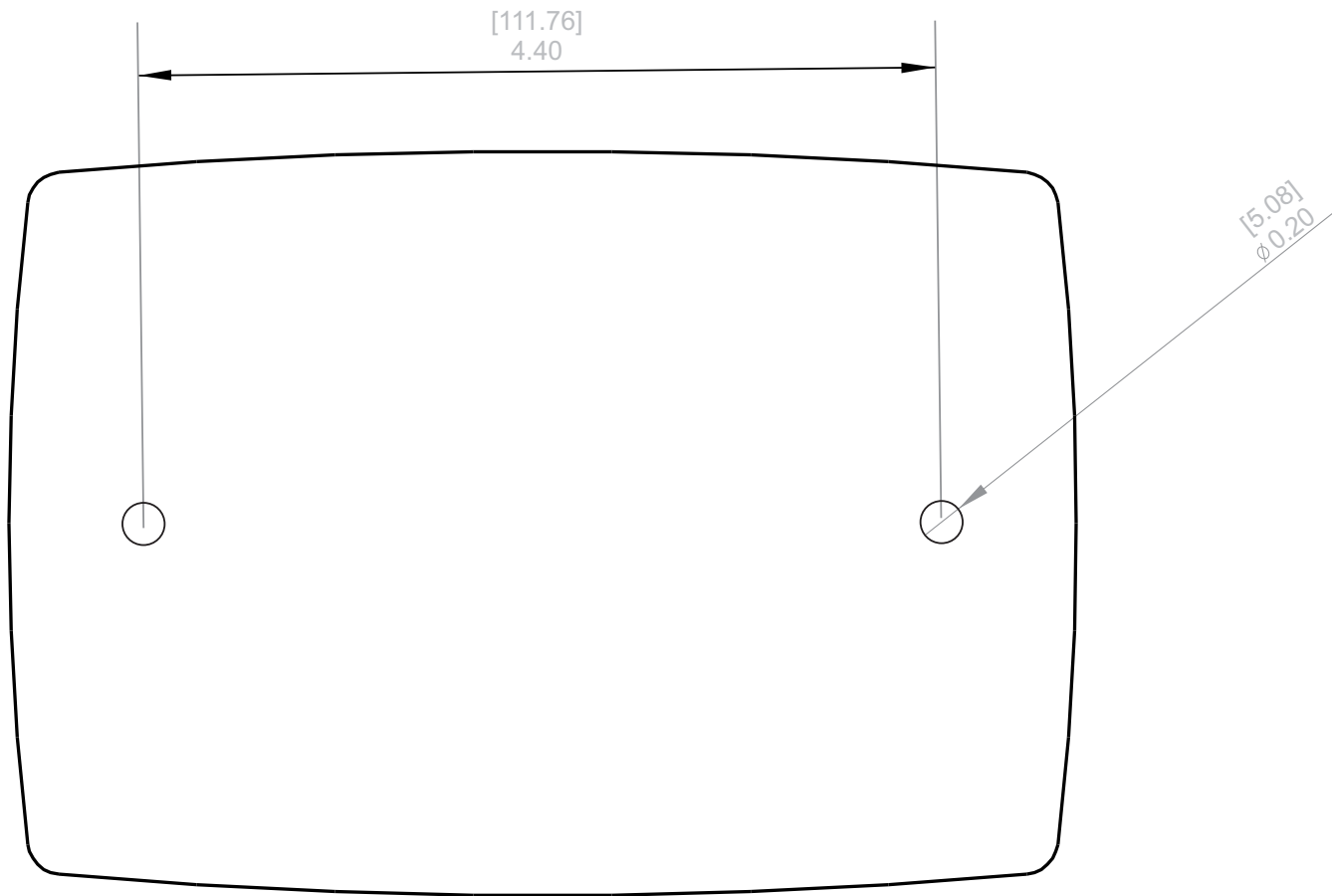


TEMPLATE NOTE: ALL DIMENSIONS ARE 1:1
PLEASE VERIFY SCALING PRIOR TO DRILLING



PROPRIETARY AND CONFIDENTIAL
THE INFORMATION CONTAINED IN THIS
DRAWING IS THE SOLE PROPERTY OF DSSA

UNLESS OTHERWISE SPECIFIED:	NAME	DATE	Digital Switching Systems Australia	
DIMENSIONS ARE IN INCHES	DRAWN	JRH	5/19	
TOLERANCES:	CHECKED		TITLE:	
FRACTIONAL ±	ENG APPR.		PKR2400 CUTOUT	
ANGULAR: MACH ±1 BEND ±1	MFG APPR.			
TWO PLACE DECIMAL ±.01	Q.A.		SIZE	DWG. NO.
THREE PLACE DECIMAL ±.005	COMMENTS:		A	PKR2400
INTERPRET GEOMETRIC TOLERANCING PER:				REV
MATERIAL				B
FINISH			SCALE: 1:1	WEIGHT: 455g
DO NOT SCALE DRAWING				SHEET 2 OF 3

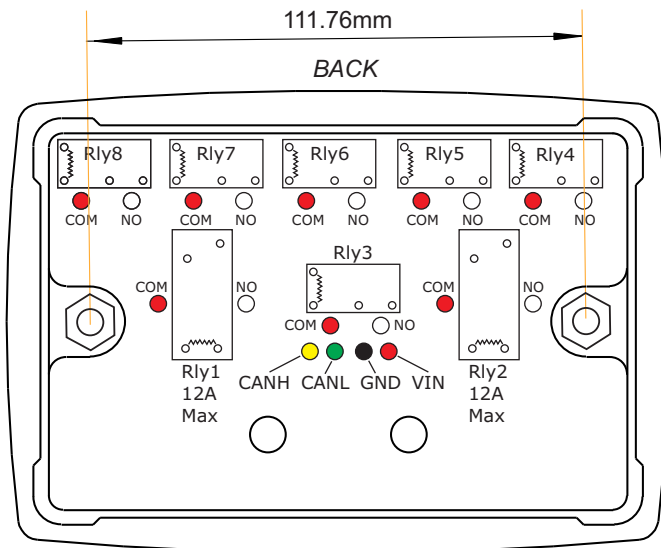
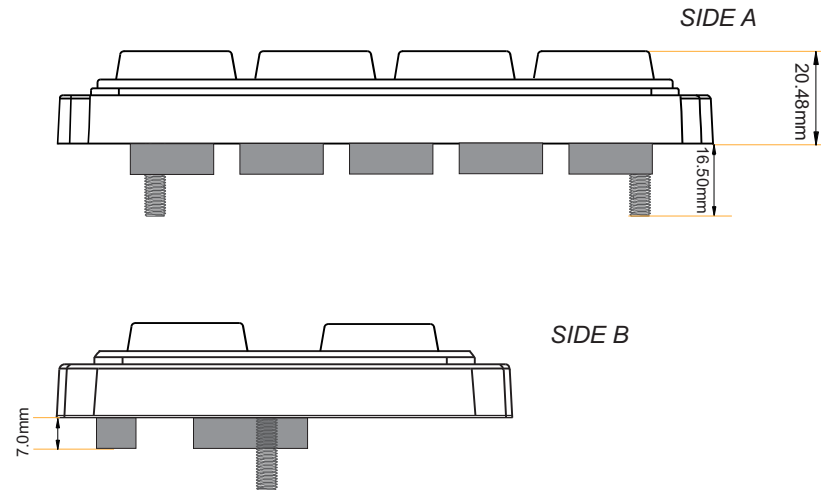
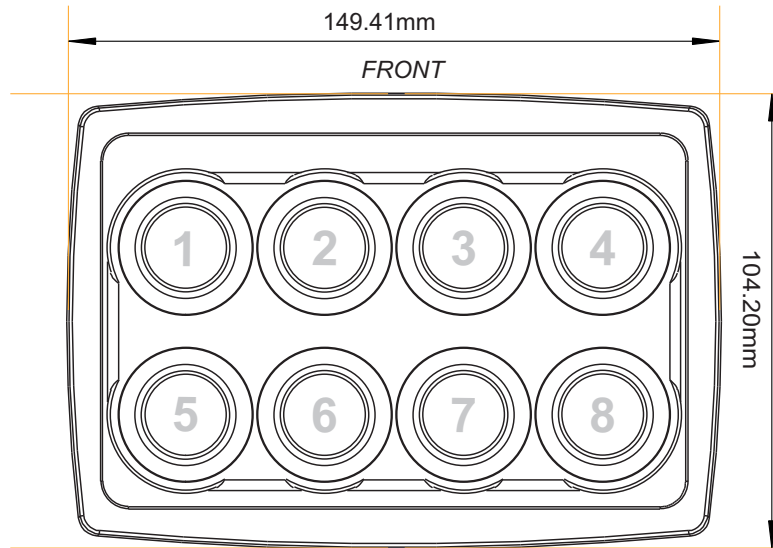


UNLESS OTHERWISE SPECIFIED:		NAME	DATE	Digital Switching Systems Australia	
DIMENSIONS ARE IN INCHES		DRAWN	JRH		5/19
TOLERANCES:		CHECKED			
FRACTIONAL ±		ENG APPR.			
ANGULAR: MACH ±1 BEND ±1		MFG APPR.			
TWO PLACE DECIMAL ±.01		Q.A.			
THREE PLACE DECIMAL ±.005		COMMENTS:			
INTERPRET GEOMETRIC TOLERANCING PER:				TITLE:	
MATERIAL				PKR2400 CUTOUT	
FINISH		SIZE	DWG. NO.	REV	
		A	PKR2400	B	
DO NOT SCALE DRAWING		SCALE: 1:1	WEIGHT: 455g	SHEET 3 OF 3	

PROPRIETARY AND CONFIDENTIAL
THE INFORMATION CONTAINED IN THIS DRAWING IS THE SOLE PROPERTY OF DSSA



PKR2400 DIMENSIONS



* Diagrams are NOT to Scale

MOUNT ON A FLAT SURFACE ONLY

Part Number:	DSS-PKR2400
Weight:	455g
Nut Size*:	10-32 UNF S/S
Washer Sizes:	M5 Spring Washer S/S, M5 Flat Washer S/S
Torque Mounting Nuts:	7 +/- 1 in. lbs

* DO NOT USE NYLOC NUTS

