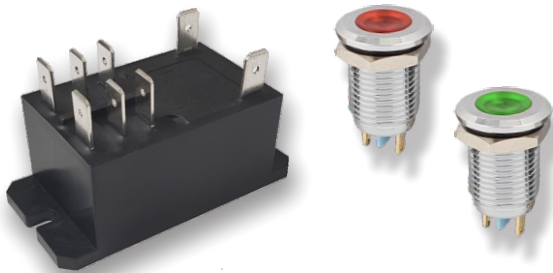


# REVERSE POLARITY SENSOR

WWW.DIGITALSWITCHING.COM.AU

## PARTS INCLUDED:

PART	QUANTITY
Polarity Sensor	1
240VAC Relay	1
Wiring Diagram	1
Notice Label	1
Red LED Indicator Lamp	1
Green LED Indicator Lamp	1



- ✓ Easy Installation
- ✓ Maintenance Free
- ✓ Super Reliable
- ✓ Australian Made
- ✓ Certificate: SAA172810
- ✓ Standard: AS/NZ 3100: 2009 Inc A1-4
- ✓ Max Switching of 500mA @ 240VAC

### WARNING:

This device must be installed by a suitably licenced electrician to meet the standards of AS/NZS 3100:2009 Incl A1-4. If used outside Australia or New Zealand, please consult local authorities.

Manufactured and complies with: AS/NZS 3100: 2009 Incl A1-4.

Certificate No. SAA172810. Maximum switching of 500mA @ 240VAC. The polarity sensor can be applied under the: AS3004.2: 2008 S5.5.3.2 a,c.

(Protection against reversal of polarity in the supply lead) and can also be used for NSCV Part C Section 5 Subsection 5B (Electrical) Paragraph 4.7.1.c (Shore Supply).

Please see wiring diagram for specific connectivity.



We all know that safety is paramount and we strive to adopt new practices to reduce the chance of electrocution and increase safety, thus making the Reverse Polarity Sensor fundamental for all vehicle, RV and marine vessel owners.

This innovative device works by sensing the polarity of the power input and, if correct, will then energise the relay permitting power to flow through the vehicle switchboard in certain circumstances it will automatically trip the safety switch at the supply point of the power source.

This makes it completely safe for the end user and helps protect any sensitive electronic devices that would have been affected by reversed polarity.

The Reverse Polarity Sensor is one of the only devices on the market today which is fully complaint, approved and tested to Australian safety standards.

This compact device requires minimum space and is recommended to be installed along with the supplied relay at the vehicle or vessels' switchboard location.

So start protecting your vehicle today!

**The Reverse Polarity Sensor must be installed by a licensed electrician.**



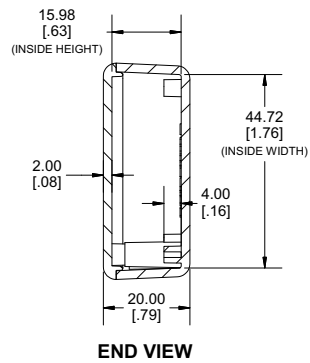
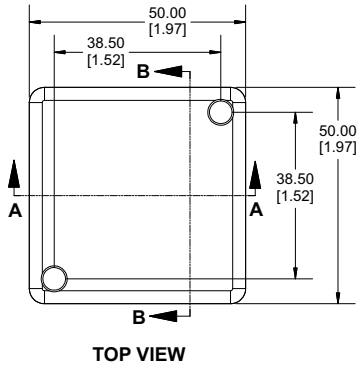
E5899



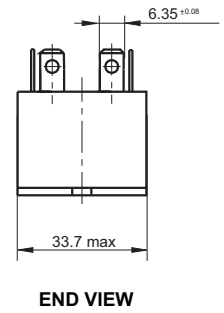
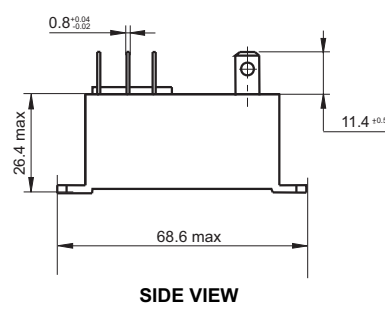
**DSS-RPS**

## DIMENSIONS:

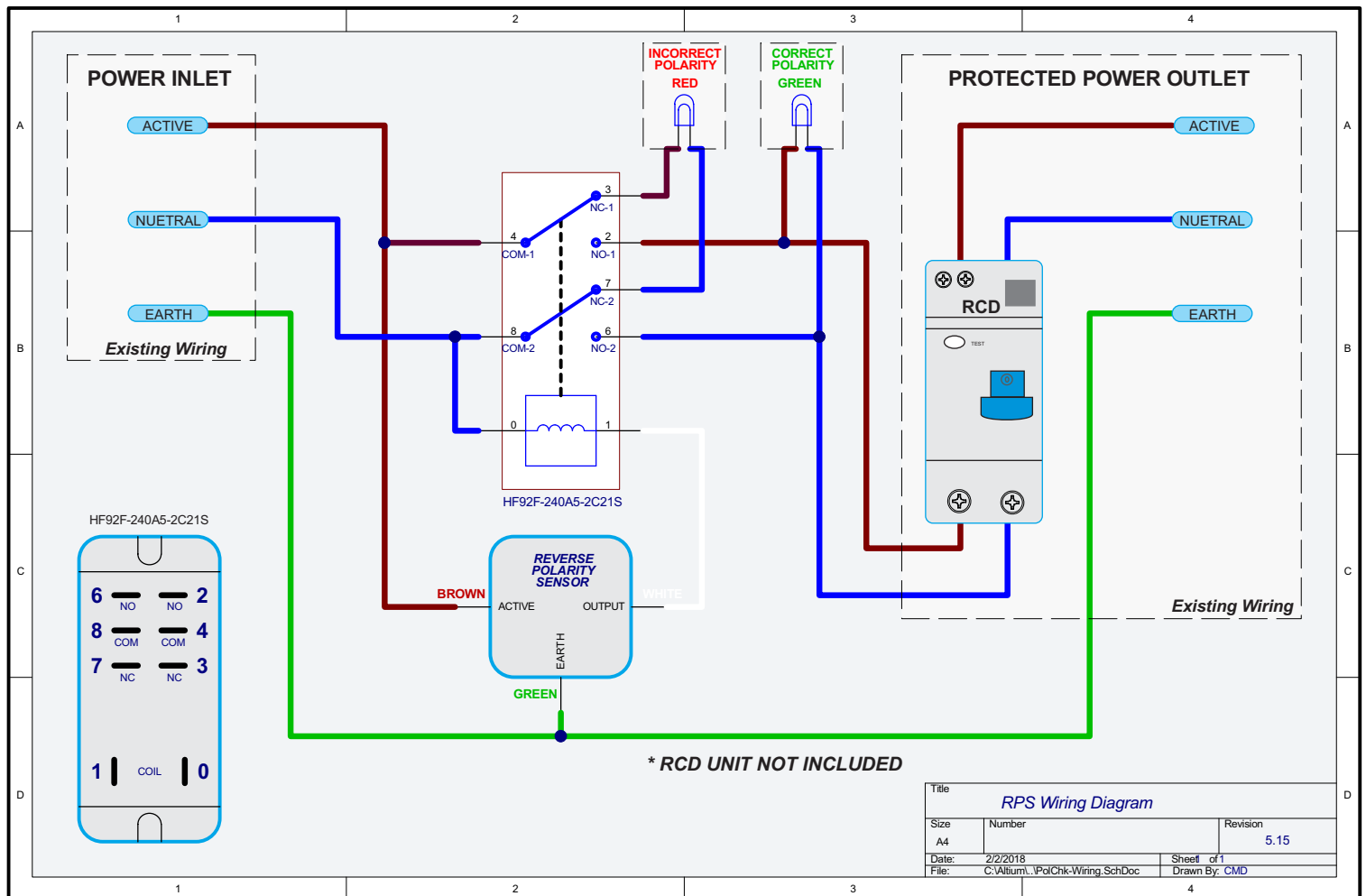
### SENSOR



### RELAY



## WIRING DIAGRAM:



## WARNING:

This device must be installed by a suitably licenced electrician to meet standards of AS/NZS 3100:2009 Incl A1-4. If used outside Australia or New Zealand, please consult local authorities. Manufactured and complies with AS/NZS 3100:2009 Incl A1-4. Certificate No. SAA172810 Maximum switching of 500mA @ 240V ac.

The Polarity Sensor can be applied under the AS3004.2:2008 S5.5.3.2 a.c. (Protection against reverse polarity in the supply lead) and can also be used for NSCV Part C Section 5 Subsection 5B (Electrical) Paragraph 4.7.1.c (Shore Supply) **Please see wiring diagram for specific connectivity.**