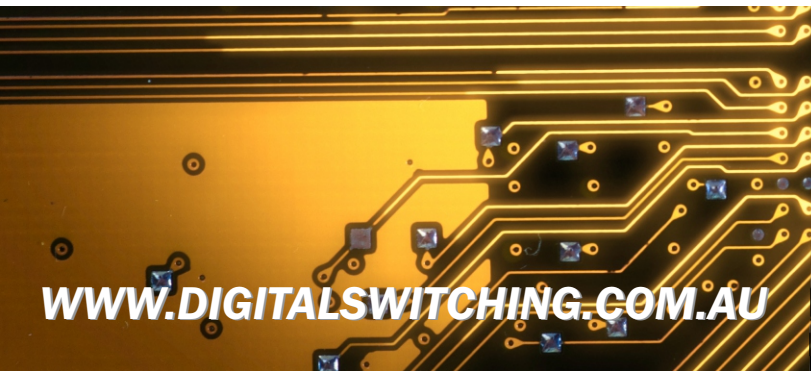


TECHNICAL DATA

T7i - 7" TOUCH SCREEN



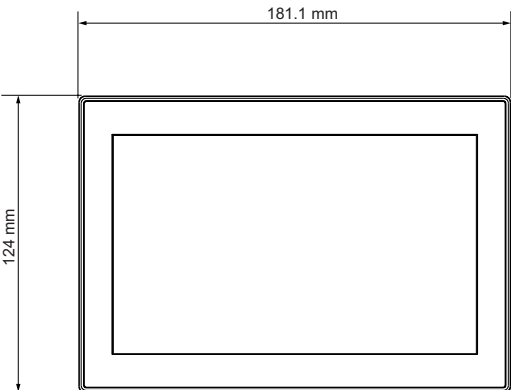
7" CAN Bus SCREEN

The T7i has a slim-line profile housing a hi-resolution 7-inch projected capacitive customisable colour screen delivering modern tablet like aesthetics.

The WVGA (800x480) PCAP LCD colour screen can be viewed in full sunlight and the ruggedised unit is sealed to meet IP67 standards. With dual CAN, Ethernet and Video supported screen the T7i is suited to a wide range of applications. External buttons can be added via compatible CAN keypad.

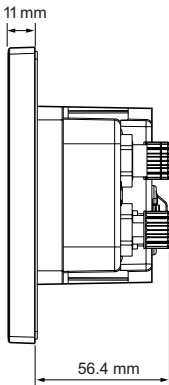
It meets the need for tough, flexible instrumentation while offering high performance and design specifications. Custom software applications are rapidly created using the software development kit (SDK), and the screen can be integrated into a control and monitoring system using its data logging capacity and alarm functionality.

DIMENSIONS

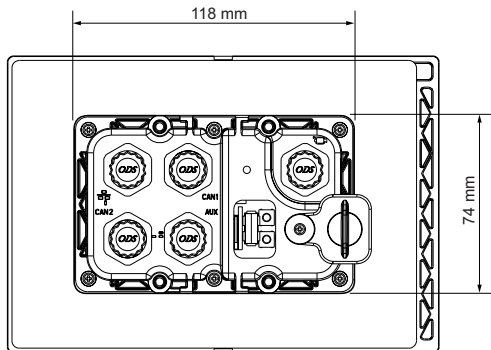


FRONT VIEW

SIDE VIEW



REAR VIEW



SPECIFICATIONS

Hardware	
CPU	i.MX6 Solo X
FLASH Memory	512MB SLC NAND
SDRAM	256MB DDR3

Electrical	
Display	PCAP LCD 7.0"
Resolution	800 (H) x 480 (V) WVGA
Active Area	152.4mm (H) x 91.44mm (V)
Viewing Angle	70 degrees left/right/down/up
Contrast Ratio	600:1
Brightness	800 NIT (cd/m ²) Full sunlight readable
Power Requirements	8V to 32V DC
Sounder	Internal Buzzer
Connection	5 x M12 Connectors A - Primary CANbus / Power M12 Male 5 pin A coded B - Isolated CANbus M12 Male 5 pin A coded C - Ethernet M12 Female 4 pin D coded D - Misc M12 Female 12 pin A coded E - not in use

Mechanical	
Case material	ABS
Case colour	Anthracite Grey
Dimensions	181.1mm (W) x 124mm (H) x 11mm forward & 56.4mm rear (D)

Input/Output / Communications	
Analogue Input	Software selectable as 0 - 2.5 VDC, 0 - 10 VDC or 0 - 10 VDC or 0 - 1000 OHMS
Switch Inputs	Switch Contact to ground or open collector type sensor - max. frequency = 50 Hz
Relay Output	Open collector suitable 0.5A continuous load.
Communications	1 x RS422/485, 2 x CAN Bus 2.0B (1 isolated) 1 x USB 2.0, 1 x Ethernet

Environmental	
Operating temperature	-30 °C to +80 °C
Storage Temperature	-30 °C to +80 °C
Degree of Protection	IP67

CONNECTIONS

CAN1		
1	No Connection	
2	Positive DC Supply	
3	Ground	
4	CAN Data H	
5	CAN Data L	

CAN2		
1	No Connection	
2	Isolated Volts Positive	
3	Isolated Volts Negative	
4	Isolated CAN Data H	
5	Isolated CAN Data L	

Video - unused		
1	Unused	
2	Unused	
3	Unused	
4	Unused	
5	Unused	

External USB IO		
1	USB Volts Positive	
2	USB Data Negative (DM)	
3	USB Data Positive (DP)	
4	No Connection	
5	USB Volts Negative	
6	RS422/485 Tx+*	
7	RS422/485 Tx-*	
8	RS422/485 Rx+*	
9	RS422/485 Rx-*	
10	Digital Input	
11	Analogue Input	
12	Relay Output	

*RS422 and RS485 options configured as a build option

Ethernet		
1	White/Orange +TK	
2	White/Green +RX	
3	Orange - TX	
4	Green	